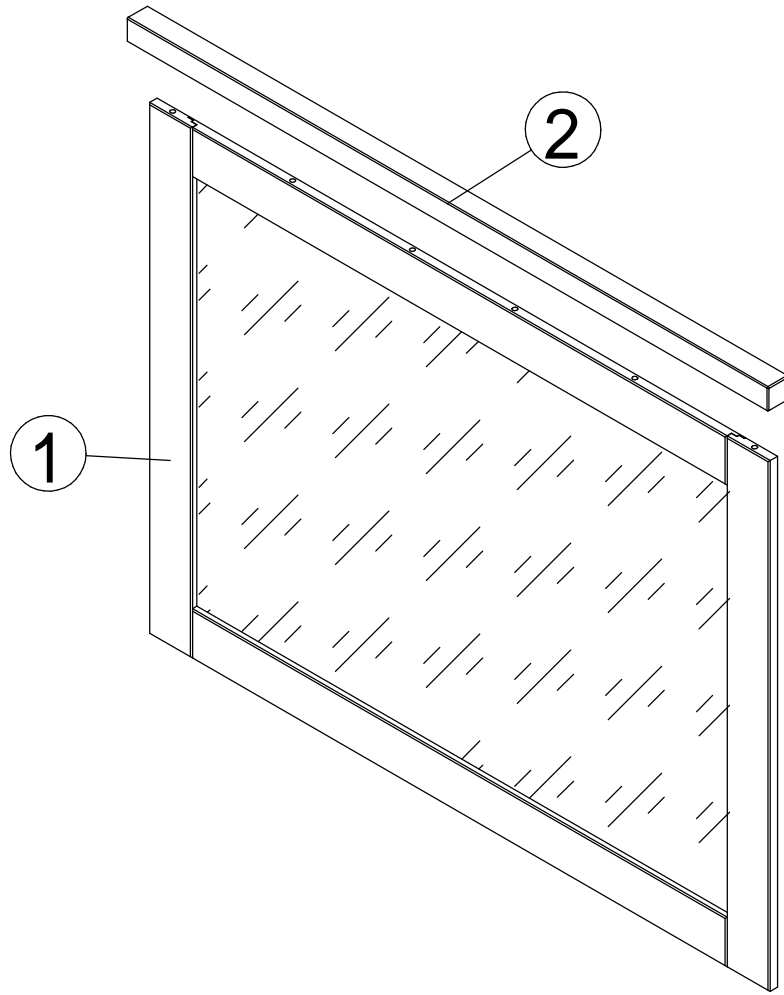
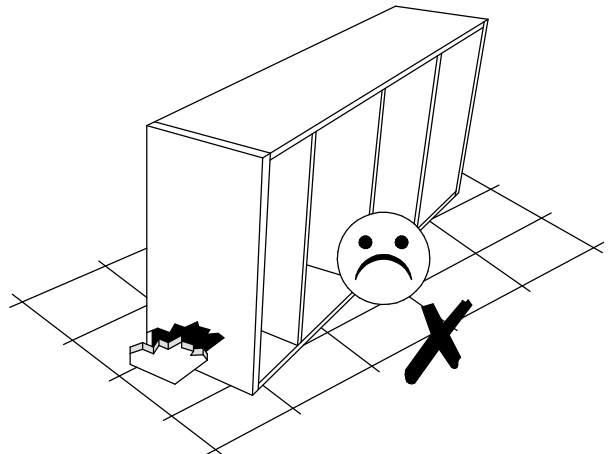
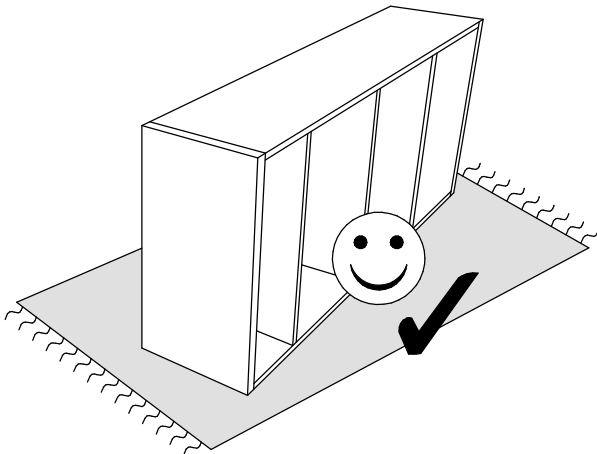
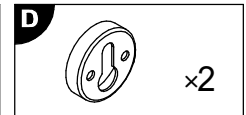
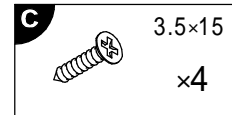
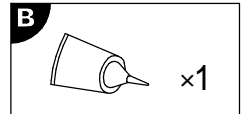
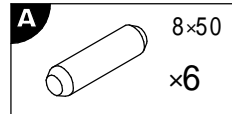


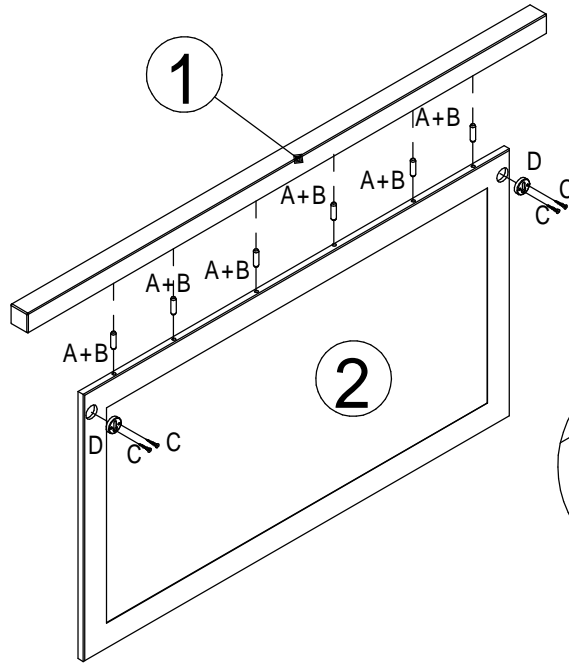
0
10
20
30
40
50
60
70
80
90
100
110
120
130
140
150
160
170
180
190
200

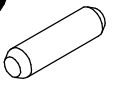
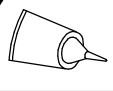




N	Size/MaB (mm)	Qty	✓
1	1160x860	1	
2	1200x40	1	

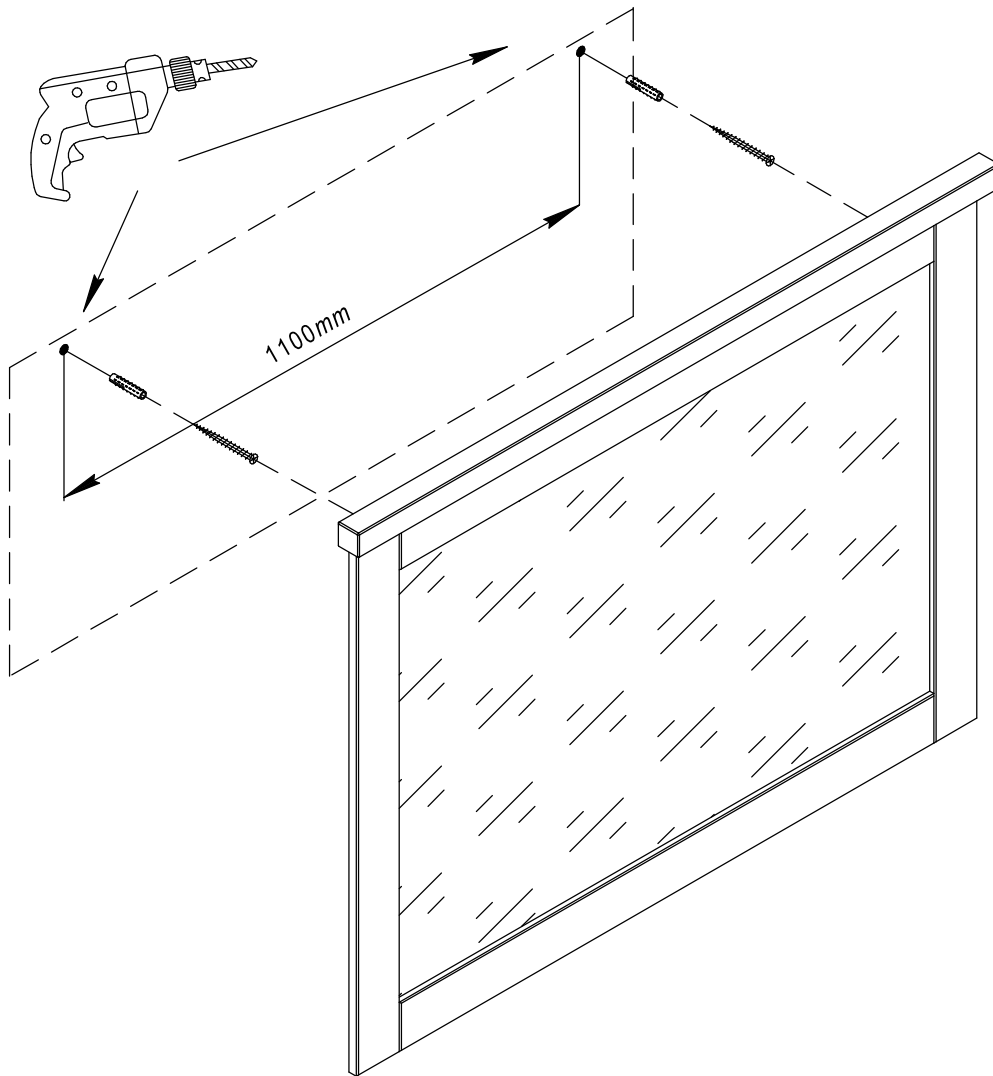


1



- A**  8x50
x6
- B**  x1
- C**  3.5x15
x4
- D**  x2

2



3